




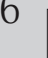



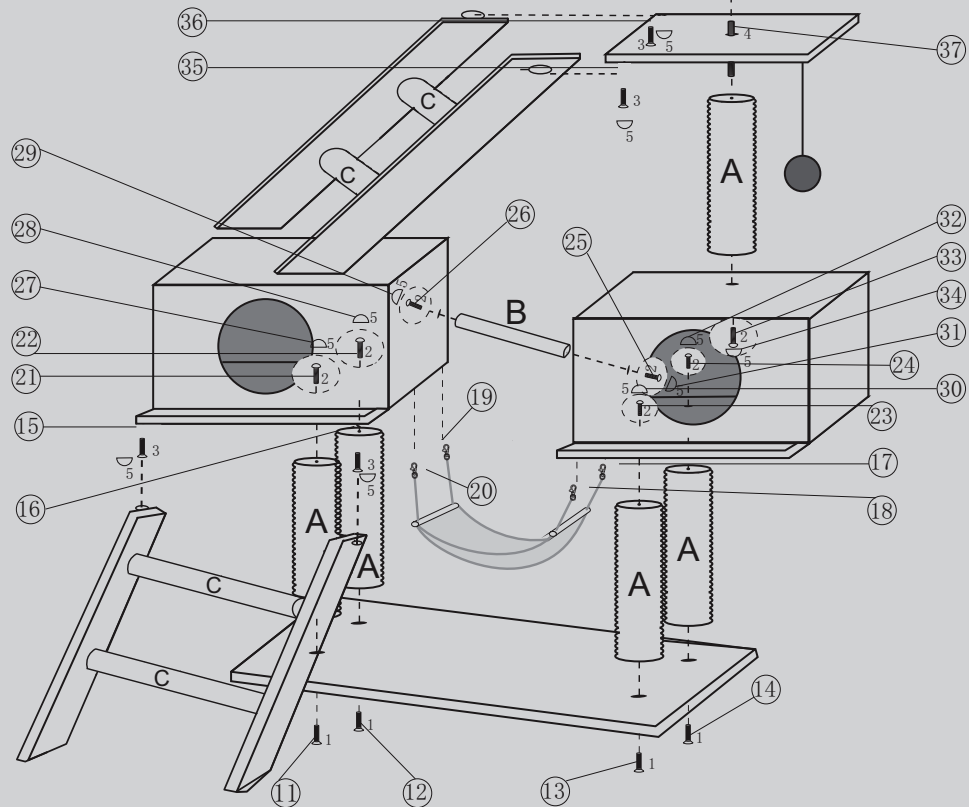
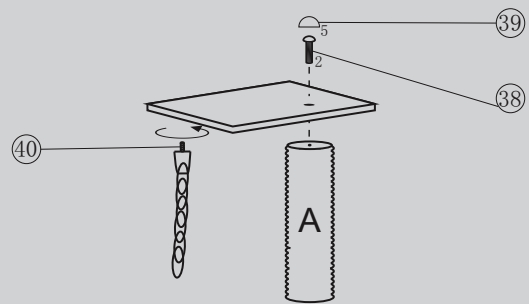
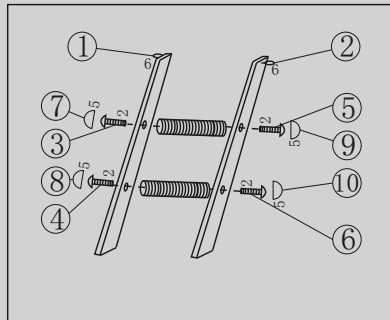




- | | | | | | | | | |
|-----------------------------------------------------------------------------------------------|-----------------------------------------------------------------------------------------------|-----------------------------------------------------------------------------------------------|-----------------------------------------------------------------------------------------------|-----------------------------------------------------------------------------------------------|-----------------------------------------------------------------------------------------------|-----------------------------------------------------------------------------------------------|------------------------------------------------------------------------------------------------|-------------------------------------------------------------------------------------------------|
| 1
 | 2
 | 3
 | 4
 | 5
 | 6
 | A
 | B
 | C
 |
| m8*50mm
4 PCS | m8*50mm
16 PCS | m8*16mm
4 PCS | m8*80mm
1 PC | 20 PCS | 1 PC | D9*40cm
6 PCS | D6*33cm
1 PC | D6*25cm
4 PCS |



(DE) Bitte halten Sie die Reihenfolge der Arbeitsschritte 1,2,3,... von der Skizze ein.

(FR) Veuillez suivre la sequence du Workflow 1, 2, 3 ...comme vous pouvez le voir sur le schema.

(EN) Pls follow the sequence of the workflow 1,2,3,... as you can see on the draft.